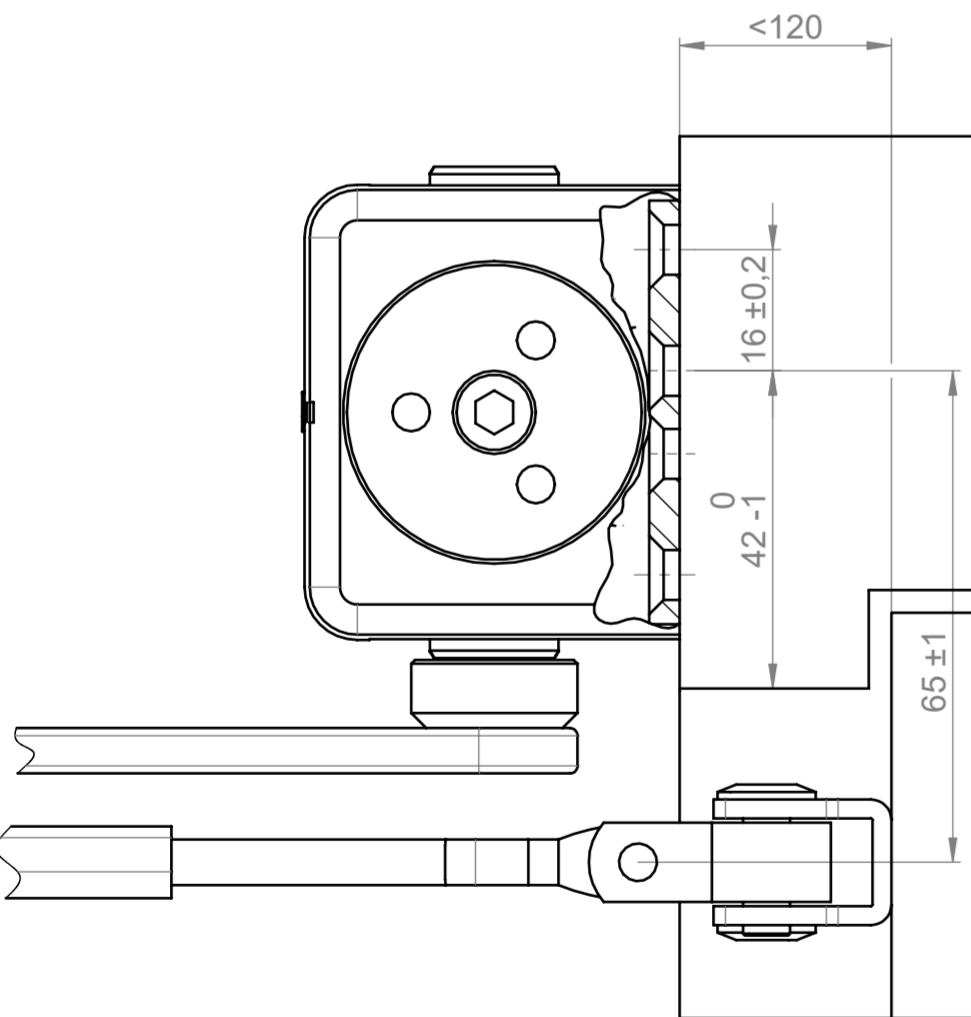
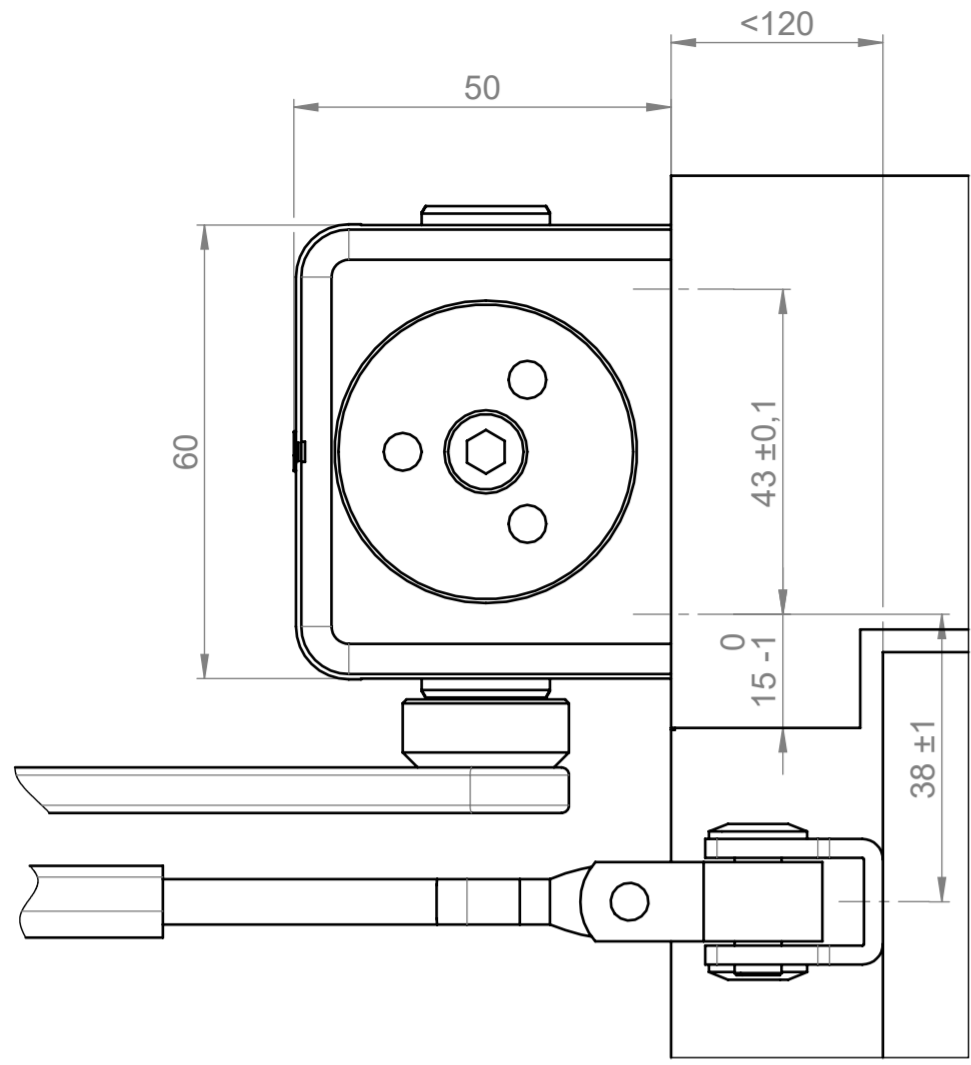
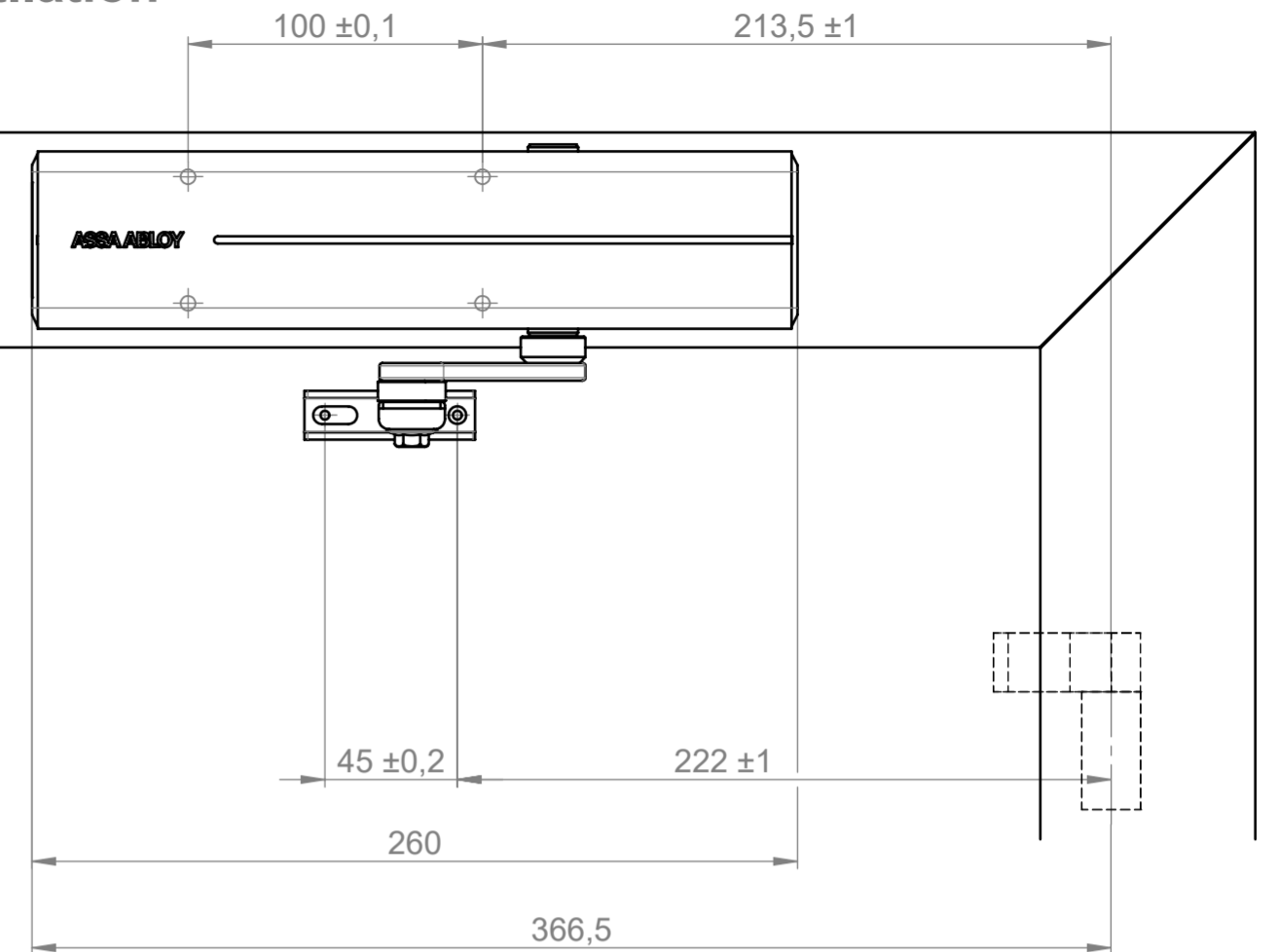
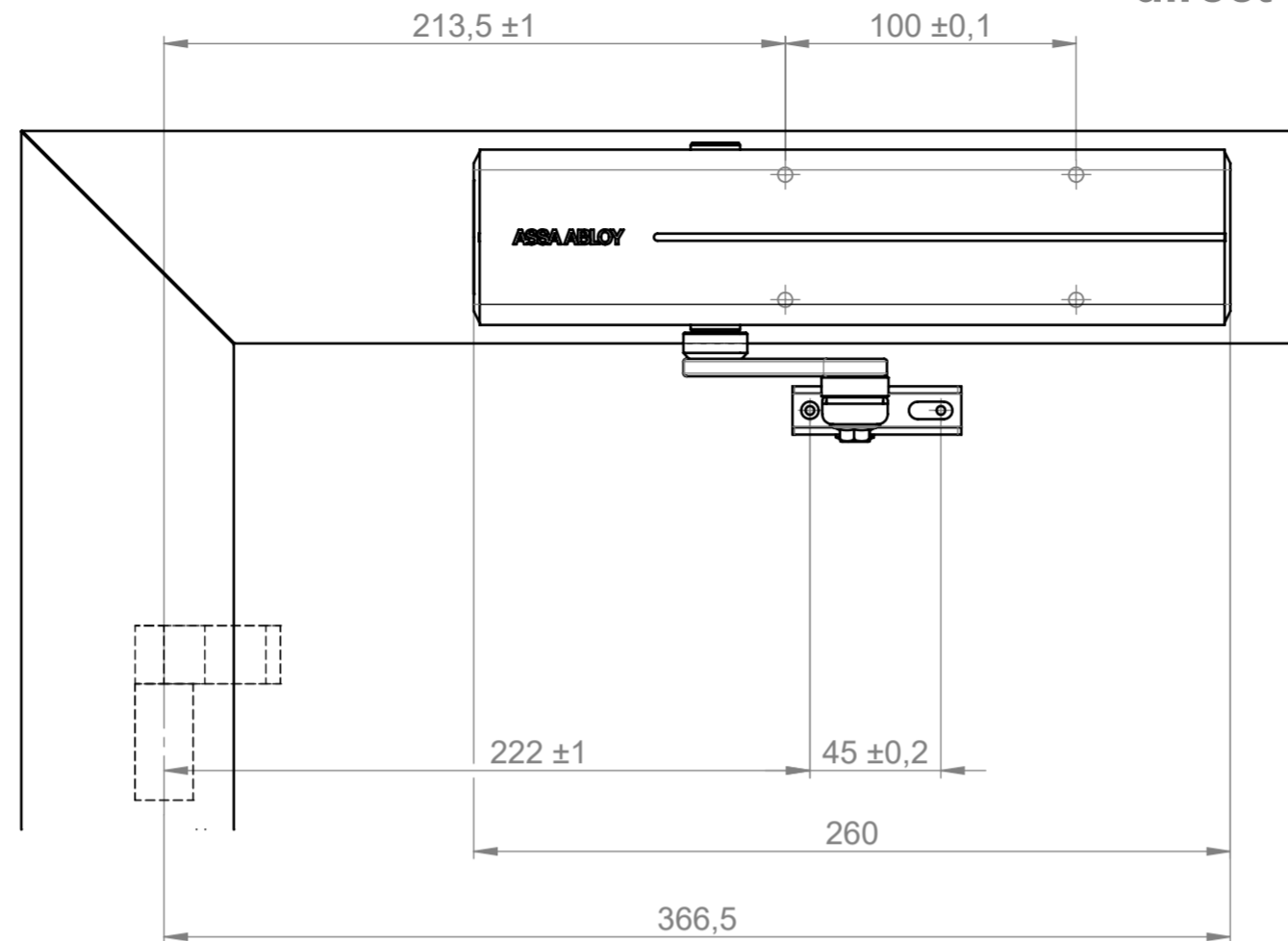


This work is copyright and no part may be reproduced, by any process, nor may any other exclusive right be exercised without the permission of ASSA ABLOY.



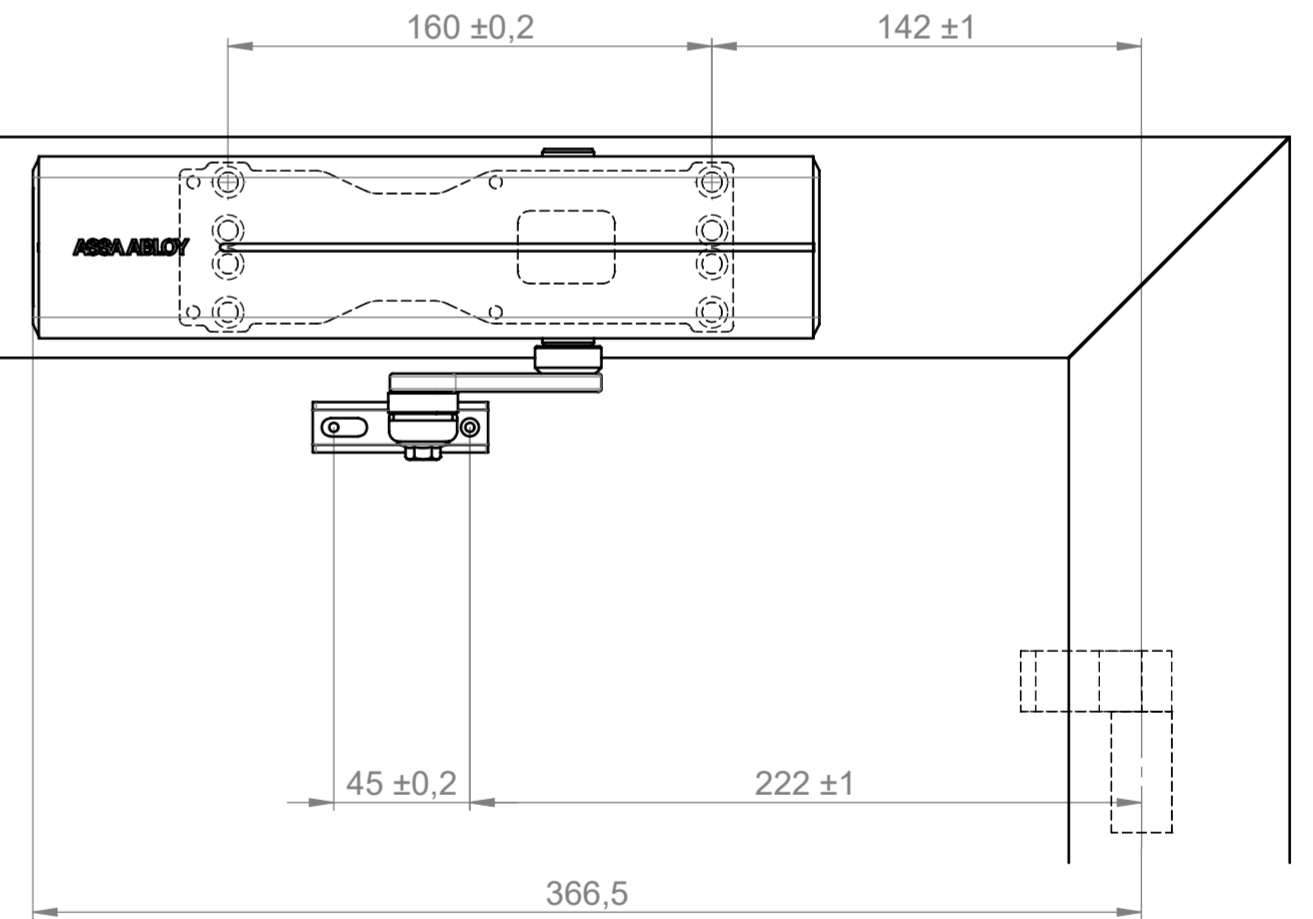
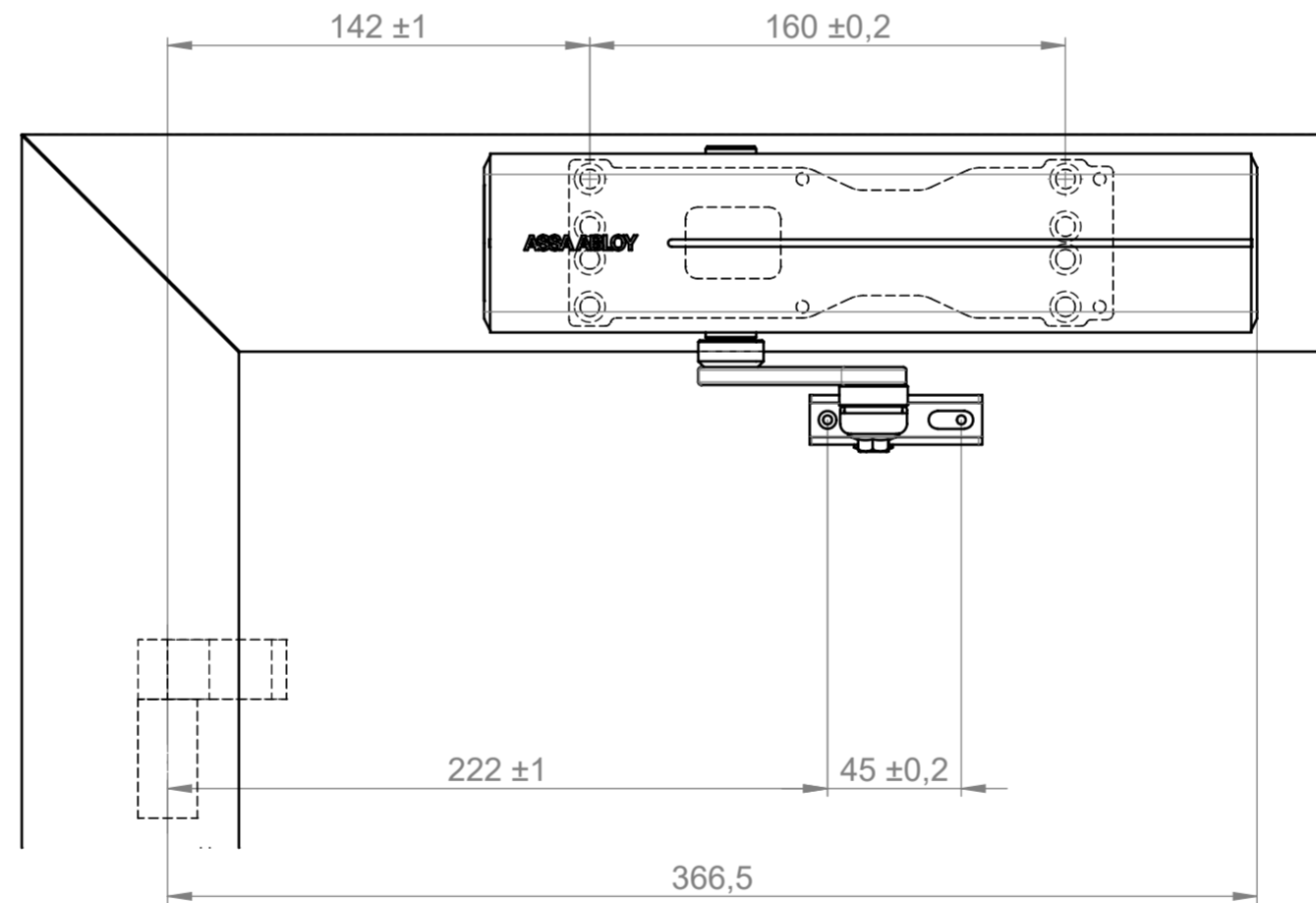
**Direktbefestigung  
direct insatllation**



DIN rechts  
right hand door

DIN links  
left hand door

**Befestigung mit Montageplatte  
installation with mounting plate**



DIN rechts  
right hand door

DIN links  
left hand door

State	Description	Date	Name				
	○ Inspection Dimension			Name local language		DC300 Kopfmontage	
Surface:				Material:		General tolerance:	
Volume:	Weight:	Surface area:	Created (YYYY-MM-DD):	Designed by:	Drawn by:	Scale:	Projection:
0097218.32 mm³	479.96 gram	1171989.08 mm²	2018-07-31	andsau	andsau	1:2.5 (A2)	1
<b>ASSA ABLOY</b> ASSA ABLOY Sicherheitstechnik GmbH				Door closer accessory		Alternate ID	
				frame installation opposite hinge side		<b>DC300-1010</b>	
				Document ID		Rev.:	
				<b>D001002199-001</b>		<b>1</b>	