

TS 1500 G



101829-07

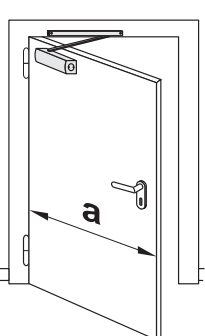


**A**

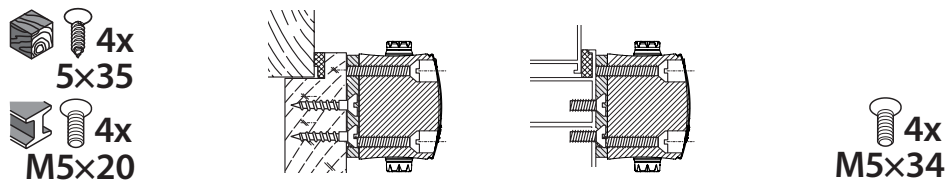
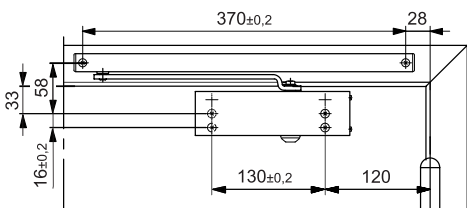
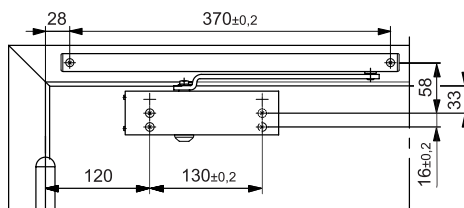
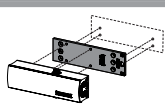
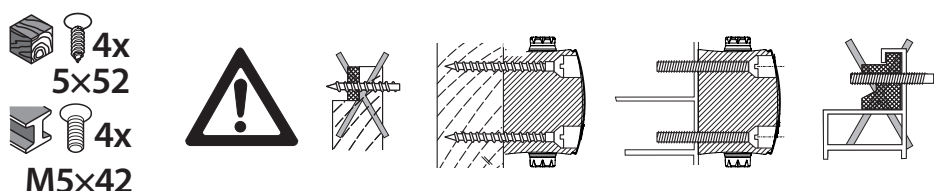
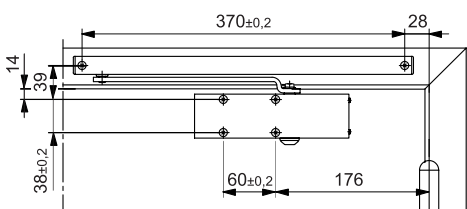
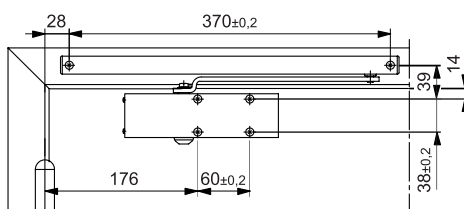
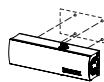
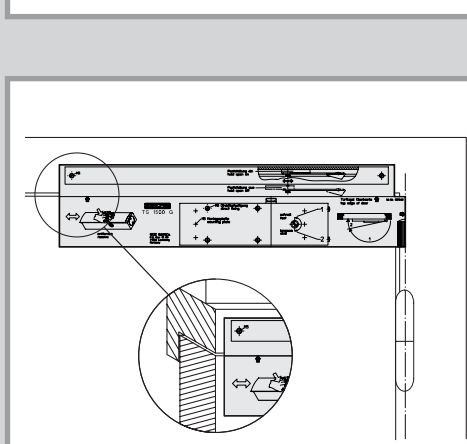
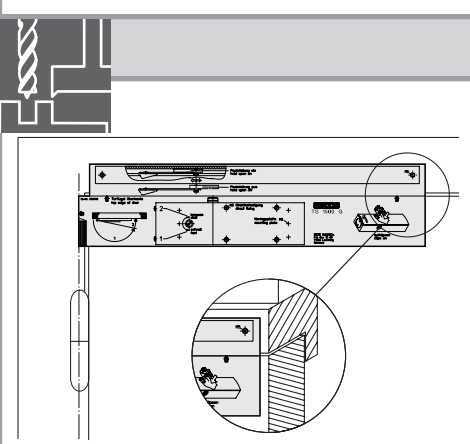
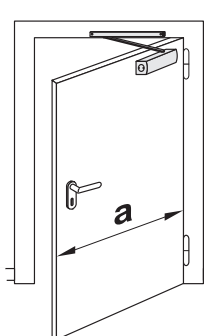
**B**



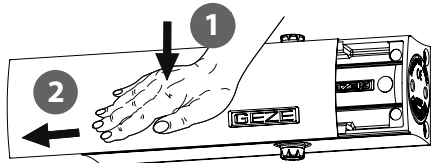
EN1  
a ≤ 750 mm



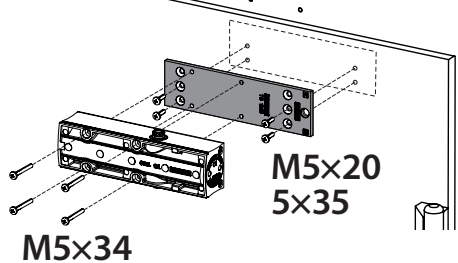
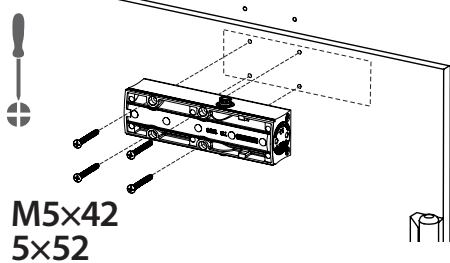
EN1  
a ≤ 750 mm



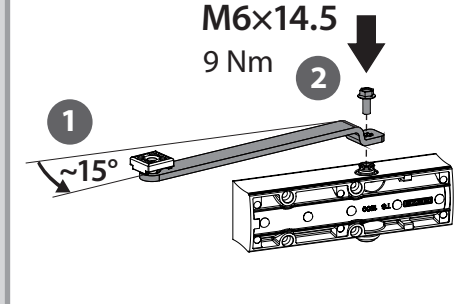
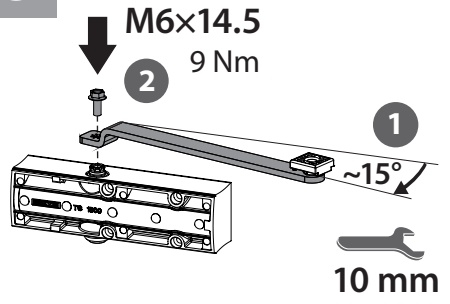
**1**



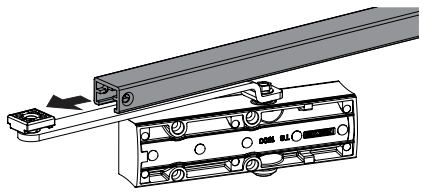
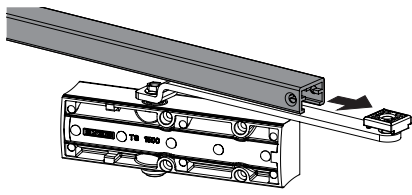
**2**



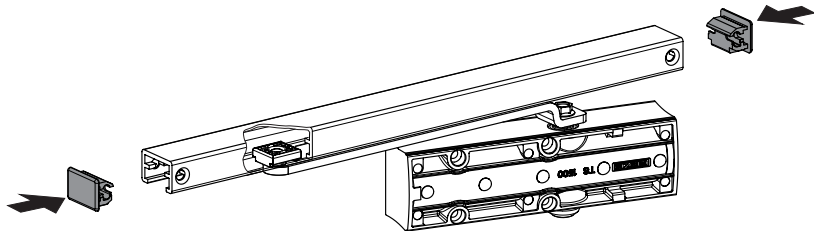
**3**



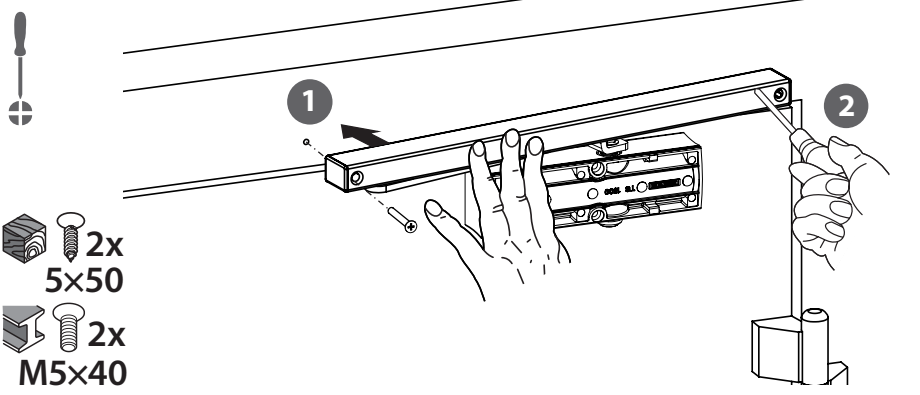
4



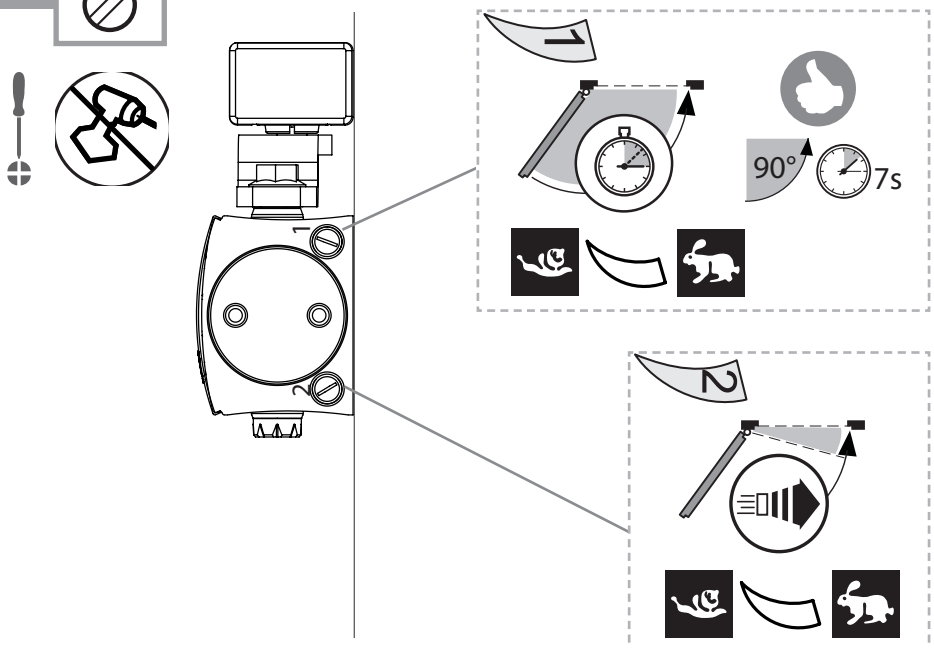
5



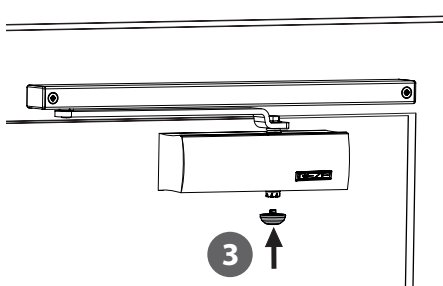
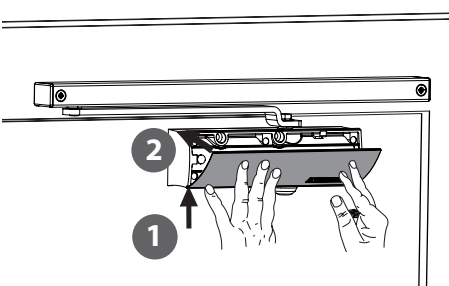
6



7



8



i

