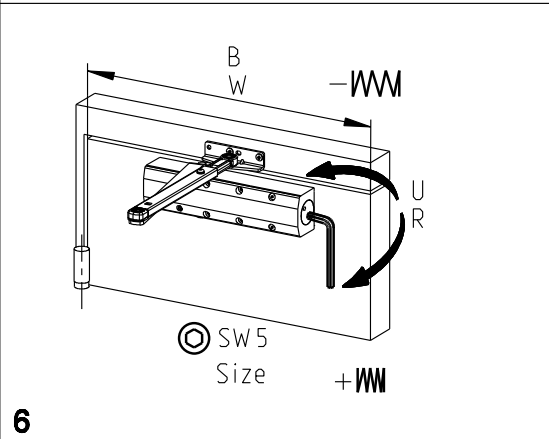
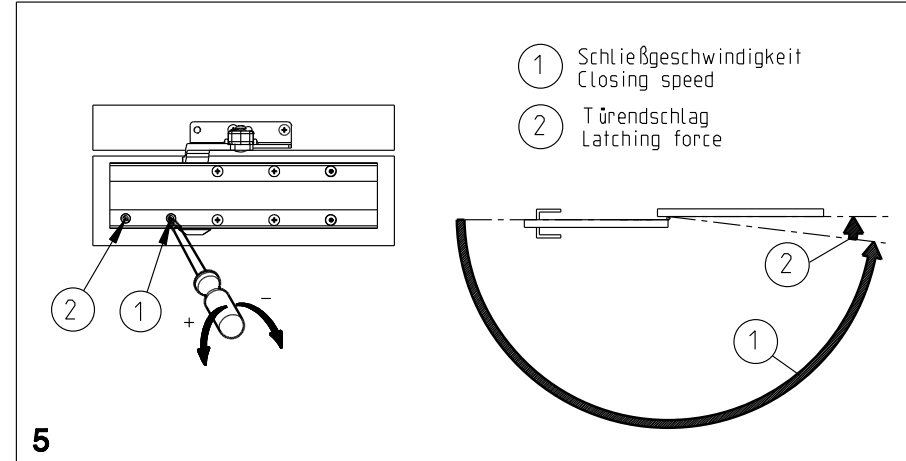
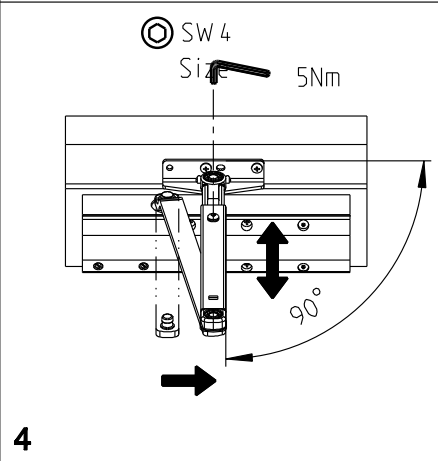
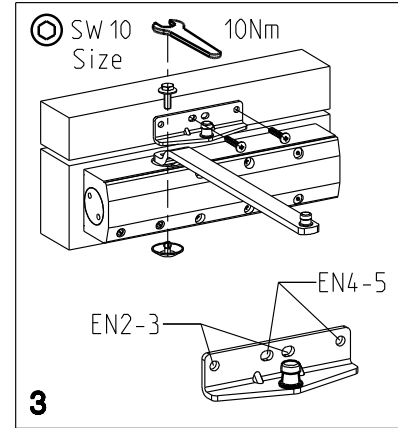
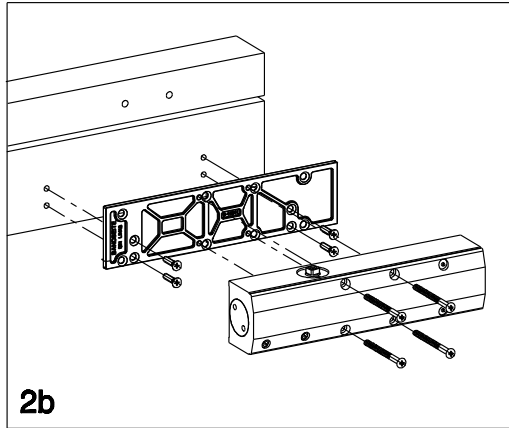
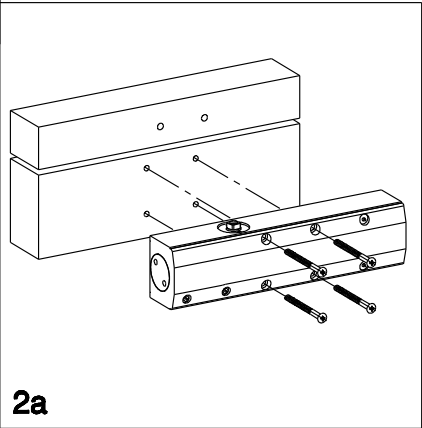
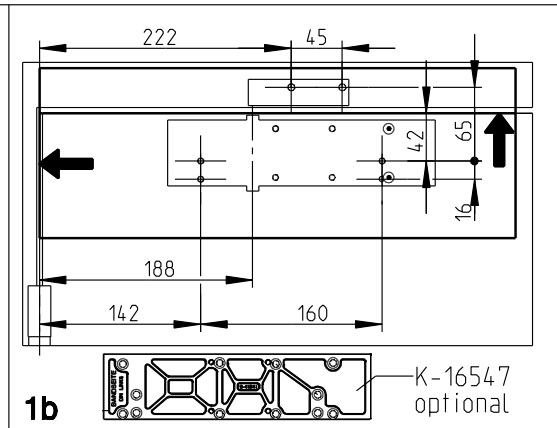
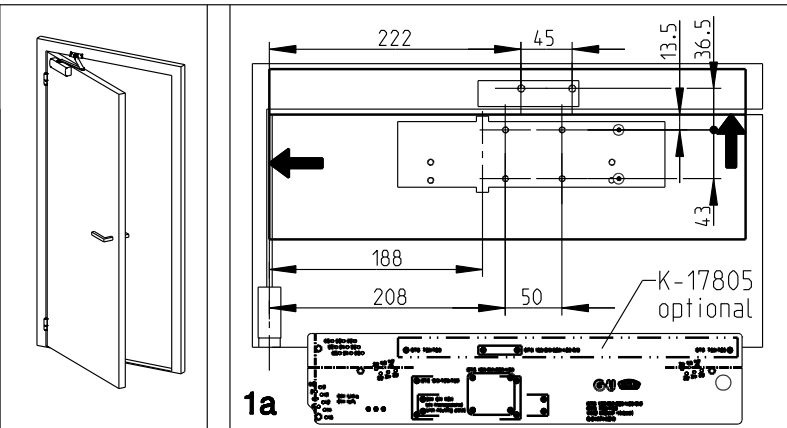


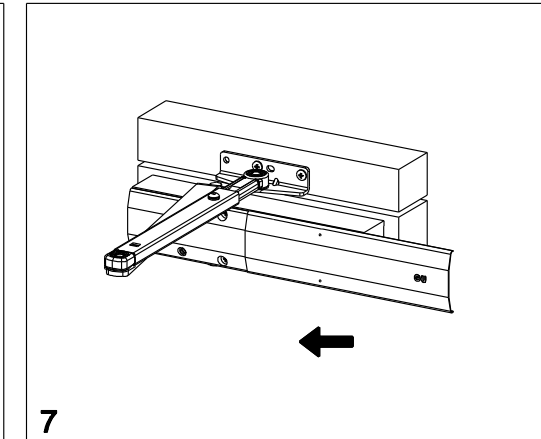
|    |   |                  |   |   |
|----|---|------------------|---|---|
| 05 | Gretsch-Unitas GmbH<br>Baubeschläge<br>Inhaber: Hans-Sirr, 3<br>B-71234 Ditzingen | 5                | 1 | 4 |
|    |   | 8                | 2 | 1 |
|    |   | 4                | 8 | 1 |
|    |   | 2                | 5 | 1 |
| CE | 0432-CPD-0067 EN 1754:1996 + A1:2002  | Substance: ----- |   |   |
|    |   |                  |   |   |

Declarations of Performance can be found at the GU-Homepage  
["www.g-u.com/en/services/construction-products-regulation.html"](http://www.g-u.com/en/services/construction-products-regulation.html).  
 You will find the product information 0-46884-PO-0-0  
["OTS/UTS/VTS-Door\\_Closer"](http://OTS/UTS/VTS-Door_Closer) at the GU-Homepage  
[www.g-u.com](http://www.g-u.com) under "SERVICES" in the menu item "Downloads".  
 Proprietary rights apply in accordance with ISO 16016.

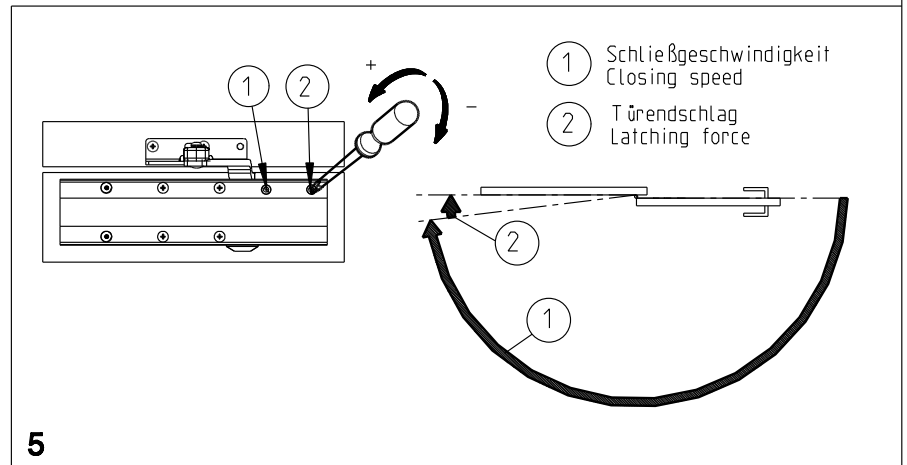
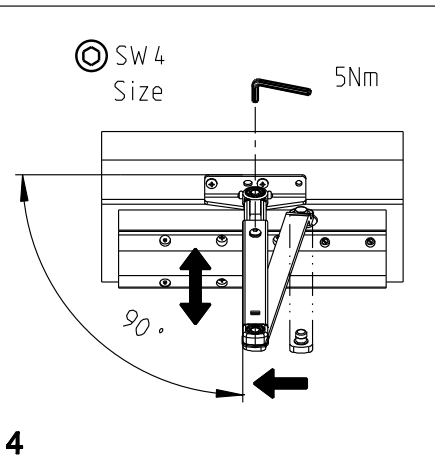
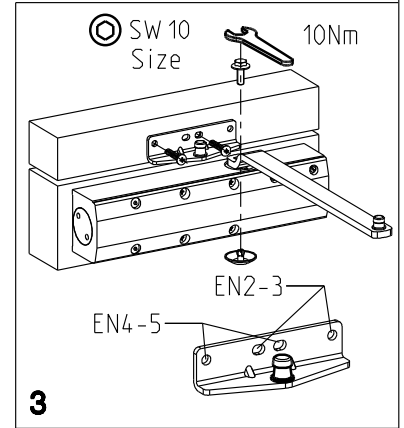
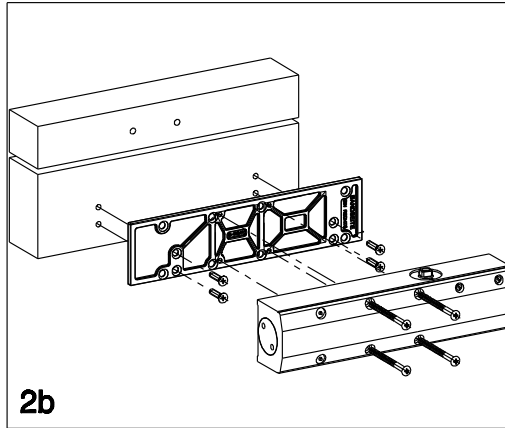
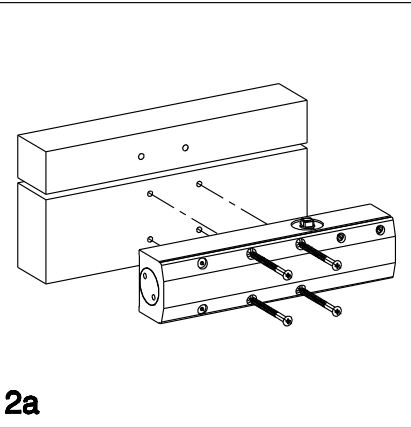
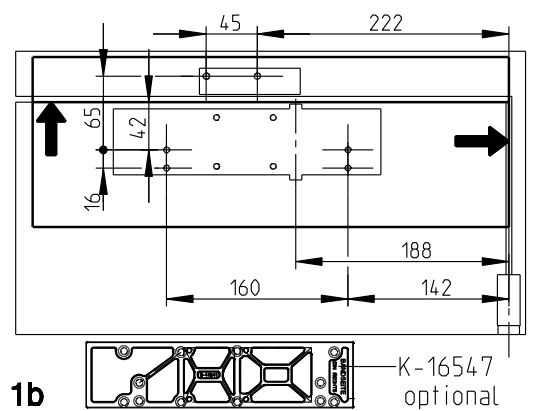
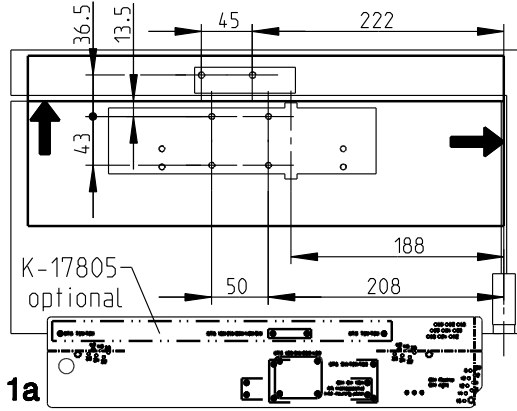
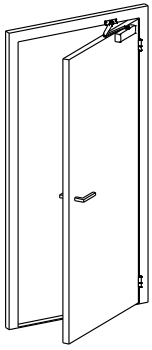
Leistungserklärungen finden Sie auf der GU-Homepage  
["www.g-u.com/de/service/bauproduktenverordnung.html"](http://www.g-u.com/de/service/bauproduktenverordnung.html).  
 Die Produktinformation Türschließer OTS/UTS/VTS (Art.-Nr. 0-46884-PO-0-0)  
 finden Sie auf der GU-Homepage ["www.g-u.com/de/service/downloads.html"](http://www.g-u.com/de/service/downloads.html).  
 Proprietary rights apply in accordance with ISO 16016.



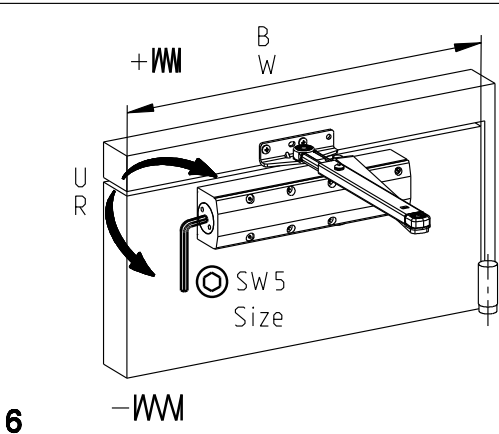
| Schließkraft<br>closing force |          |        |
|-------------------------------|----------|--------|
| EN                            | ≤ B<br>W | U<br>R |
| 2                             | 850mm    | 0      |
| 3                             | 950mm    | + 6    |
| 4                             | 1100mm   | + 6    |
| 5                             | 1250mm   | +16    |



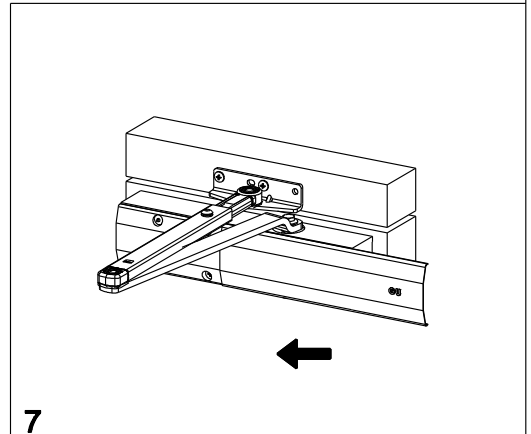
|  |                    |       |            |     |                       |              |       |
|--|--------------------|-------|------------|-----|-----------------------|--------------|-------|
| Description  |                    |       |            |     |                       |              |       |
| <b>OTS 430 Normalmontage Bandseite, DIN links K-17051/ K-17983</b>       |                    |       |            |     |                       |              |       |
| <b>OTS 430 standard mounting on hinge side, DIN left K-17051/K-17983</b> |                    |       |            |     |                       |              |       |
|  | Release No.        | Level | Released   |     | Scale                 | Modification |       |
|  | Mod. No.<br>G32381 | Ver.  | -          | W i |                       |              |       |
|  |                    | Draft | 18.05.2016 | Ur  |                       |              |       |
| Replacement for M-00097, M-00112   |                    |       |            |     | %                     | 7            | Size  |
|  |                    |       |            |     |                       | Drawing No.  | Sheet |
|  |                    |       |            |     | <b>0-45360-PF-0-0</b> |              | 1/4   |



|    |
|----|
| EN |
| ES |
| FR |
| -- |
| -- |



| Schließkraft closing force |          |        |
|----------------------------|----------|--------|
| EN                         | ≤ B<br>W | U<br>R |
| 2                          | 850mm    | 0      |
| 3                          | 950mm    | + 6    |
| 4                          | 1100mm   | + 6    |
| 5                          | 1250mm   | +16    |



Description  
**OTS 430 Normalmontage Bandseite, DIN rechts K-17051/ K-17983**

**OTS 430 standard mounting on hinge side, DIN right K-17051/K-17983**



Release No.  
--  
Mod. No.  
G32381

|       |            |     |
|-------|------------|-----|
| Level | Released   |     |
| Ver.  | -          | W i |
| Draft | 18.05.2016 | Ur  |

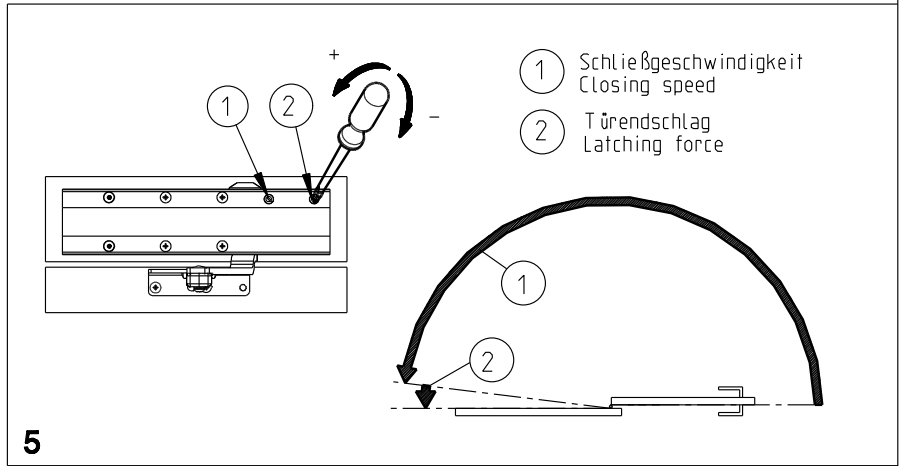
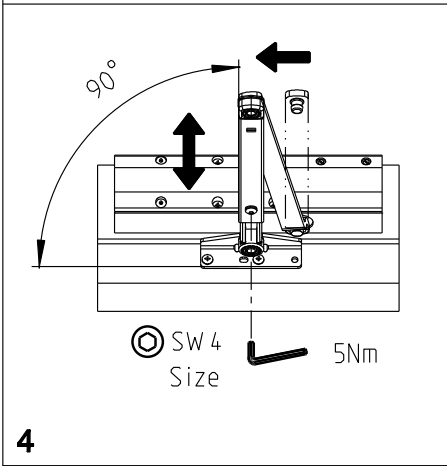
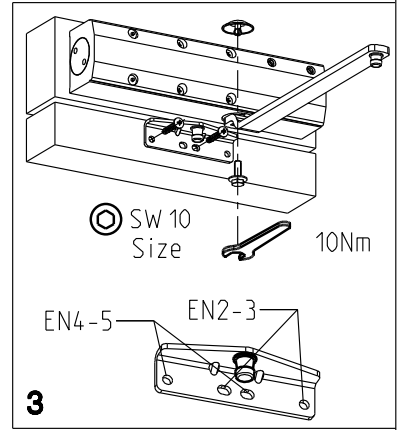
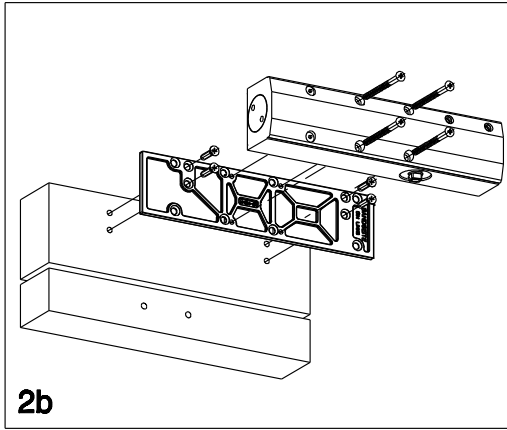
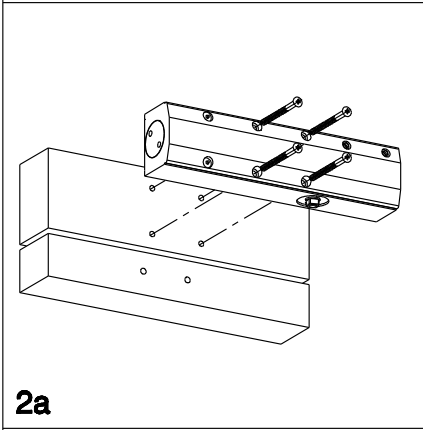
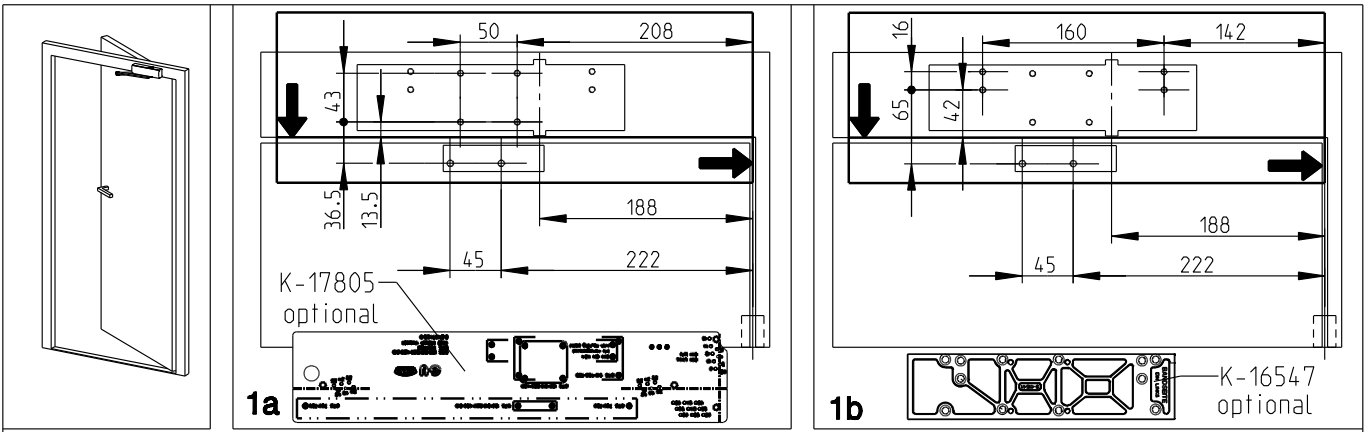
Scale  
%

Modification  
7  
Drawing No.

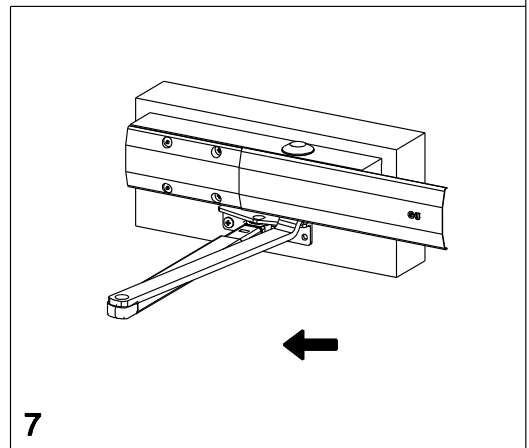
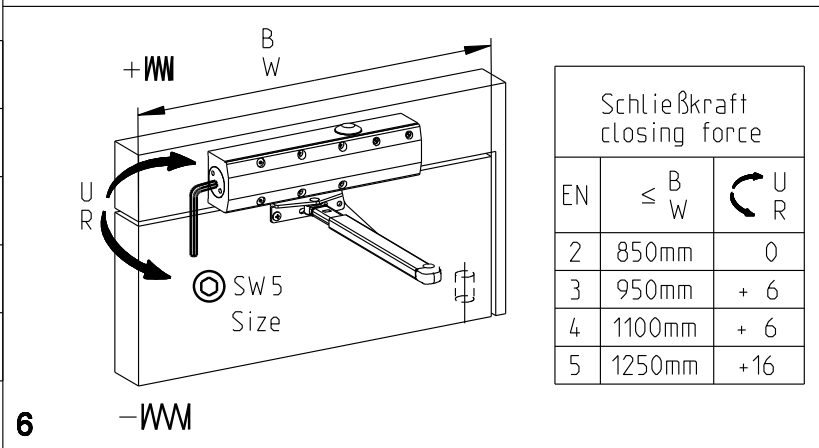
**0-45360-PF-0-0**

Size  
4  
Sheet  
2/4

Replacement for M-00097, M-00112

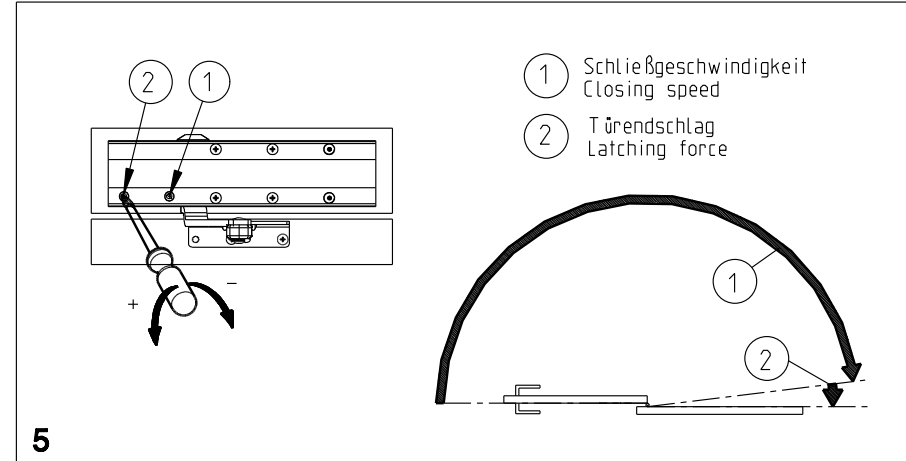
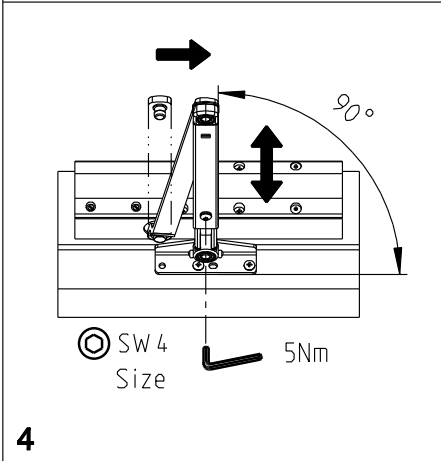
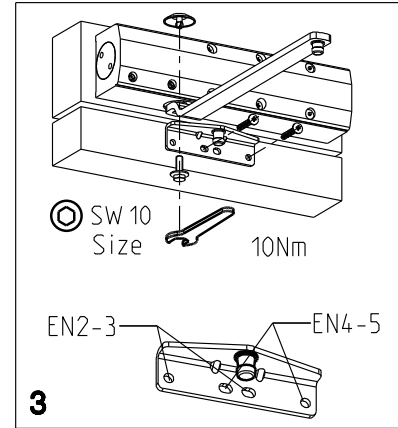
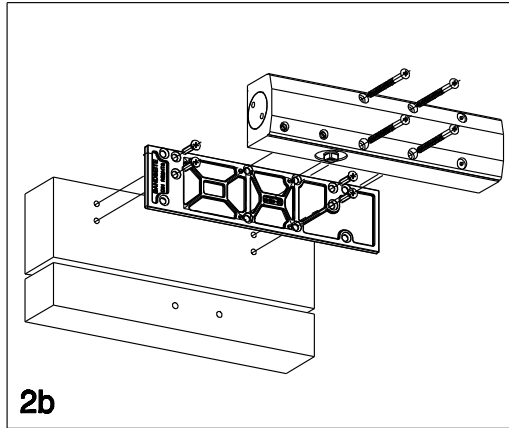
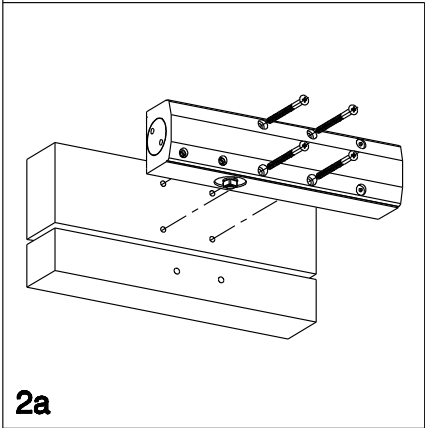
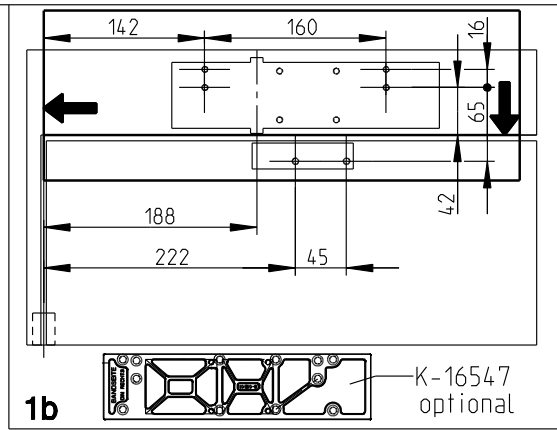
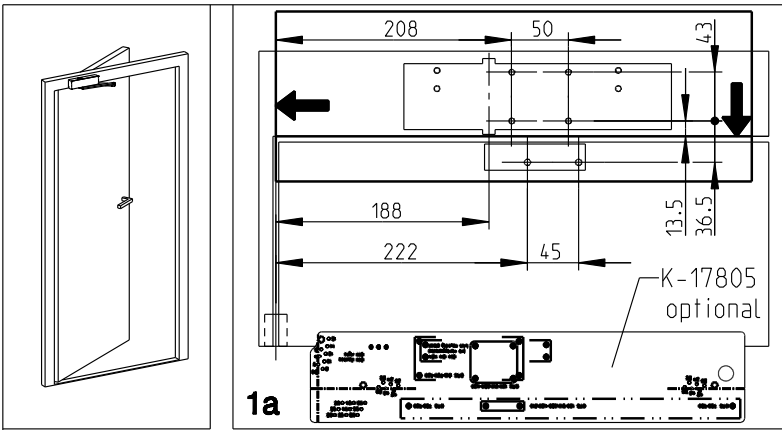


|    |
|----|
| EN |
| ES |
| FR |
| -- |
| -- |

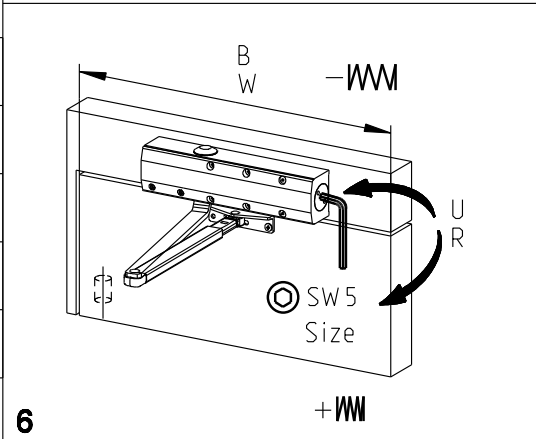


Description  
**OTS 430 Kopfmontage Bandgegenseite, DIN links K-17051/ K-17983**  
**OTS 430 transom mounting on side opposite to hinges, DIN left K-17051/K-17983**

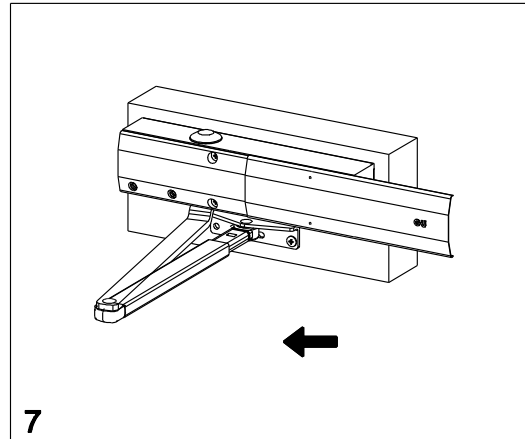
|                                  |                    |       |            |    |       |                       |      |             |       |
|----------------------------------|--------------------|-------|------------|----|-------|-----------------------|------|-------------|-------|
|                                  | Release No.        | Level | Released   |    | Scale | Modification          | Size |             |       |
|                                  | --                 | Ver.  | -          | Wi |       |                       |      | %           | 4     |
|                                  | Mod. No.<br>G32381 | Draft | 18.05.2016 | Ur |       |                       |      | Drawing No. | Sheet |
| Replacement for M-00097, M-00112 |                    |       |            |    |       | <b>0-45360-PF-0-0</b> | 3/4  |             |       |



- EN
- ES
- FR
- 
- 



| Schließkraft closing force |          |        |
|----------------------------|----------|--------|
| EN                         | ≤ B<br>W | U<br>R |
| 2                          | 850mm    | 0      |
| 3                          | 950mm    | + 6    |
| 4                          | 1100mm   | + 6    |
| 5                          | 1250mm   | +16    |



Description  
**OTS 430 Kopfmontage Bandgegenseite, DIN rechts K-17051/ K-17983**  
**OTS 430 transom mounting on side opposite to hinges, DIN right K-17051/K-17983**

|                                  |                    |       |            |    |            |                                      |                |
|----------------------------------|--------------------|-------|------------|----|------------|--------------------------------------|----------------|
|                                  | Release No.<br>--  | Level | Released   |    | Scale<br>% | Modification<br>7                    | Size<br>4      |
|                                  | Mod. No.<br>G32381 | Ver.  | -          | Wi |            |                                      |                |
|                                  |                    | Draft | 18.05.2016 | Ur |            |                                      |                |
| Replacement for M-00097, M-00112 |                    |       |            |    |            | Drawing No.<br><b>0-45360-PF-0-0</b> | Sheet<br>4 / 4 |

Proprietary rights apply in accordance with ISO 16016.