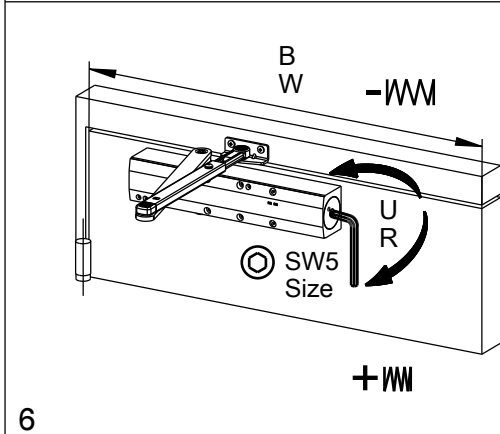
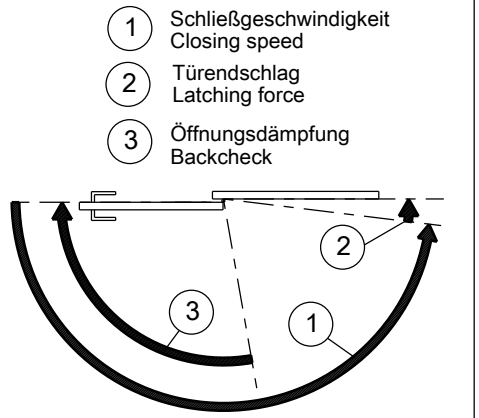
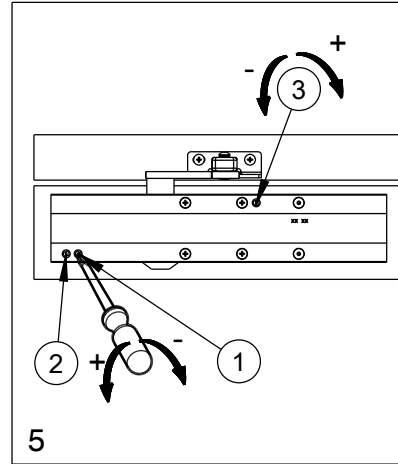
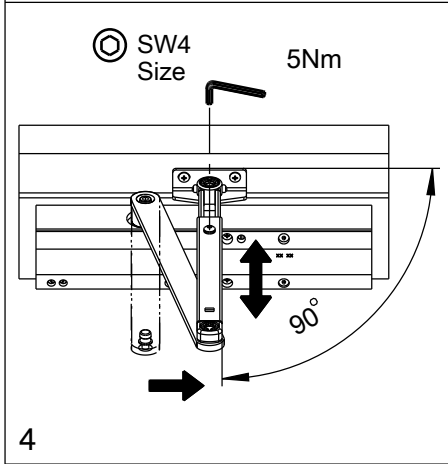
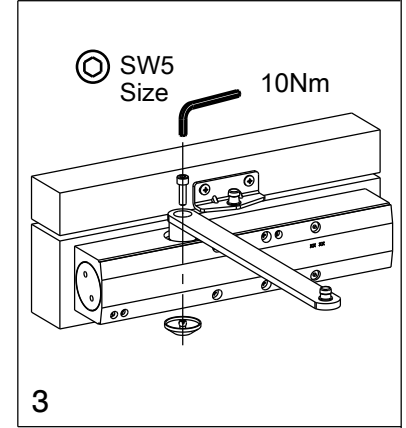
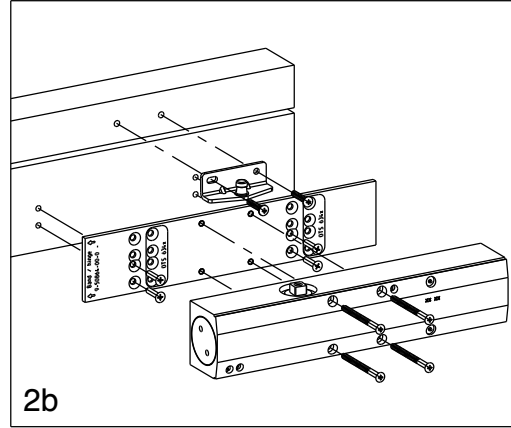
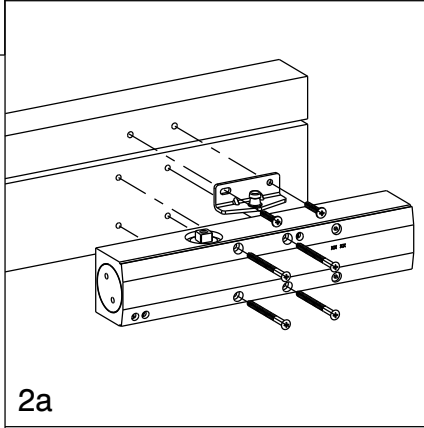
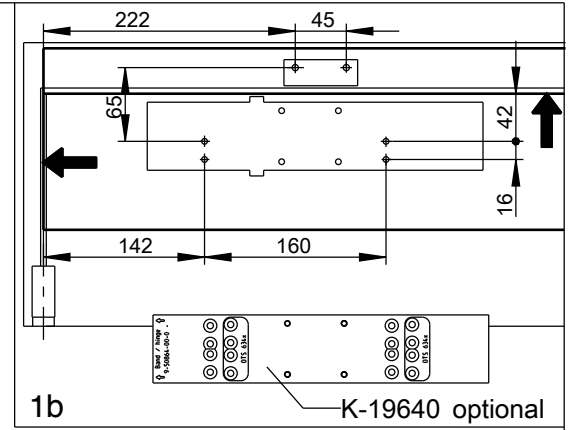
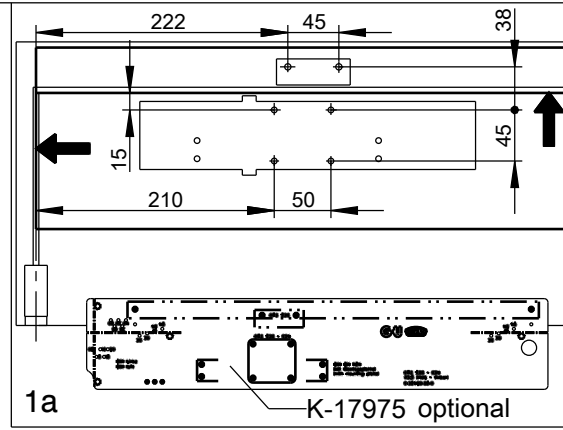
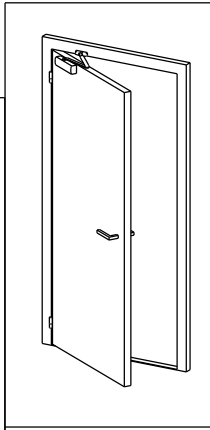


10	Gretsch-Unitas GmbH Baubeschläge Johann-Maus-Str. 3 D-71254 Ditzingen	6	2	1	1	3
		8	2	4	8	2
0432-CPD-0087 EN 1154:1996 + A1:2002		Substance: ---				

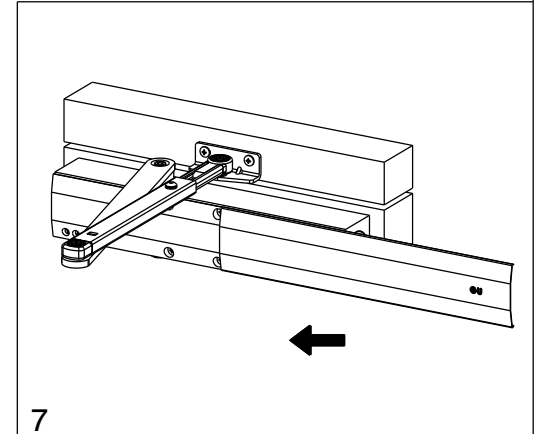
Declarations of Performance can be found at the GU-Homepage "[www.g-u.com/en/services/construction-products-regulation.html](http://www.g-u.com/en/services/construction-products-regulation.html)".  
You will find the product information 0-46884-P0-0-0 "OTS/UTS/VTS -Door closer" at the GU-Homepage [www.g-u.com](http://www.g-u.com) under "SERVICES" in the menu item "Downloads".

Leistungserklärungen finden Sie auf der GU-Homepage "[www.g-u.com/de/service/bauproduktenverordnung.html](http://www.g-u.com/de/service/bauproduktenverordnung.html)".  
Die Produktinformation Türschließer OTS/UTS/VTS (Art.-Nr. 0-46884-P0-0-0) finden Sie auf der GU-Homepage "[www.g-u.com/de/service/downloads.html](http://www.g-u.com/de/service/downloads.html)".

Proprietary rights apply in accordance with ISO 16016.

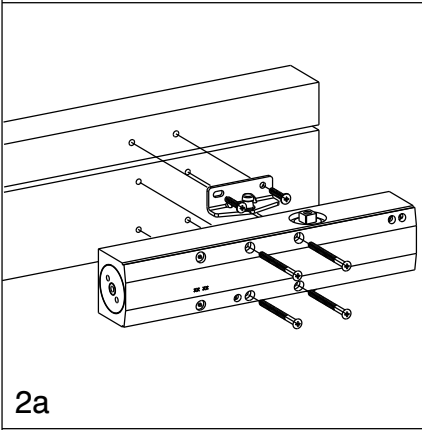
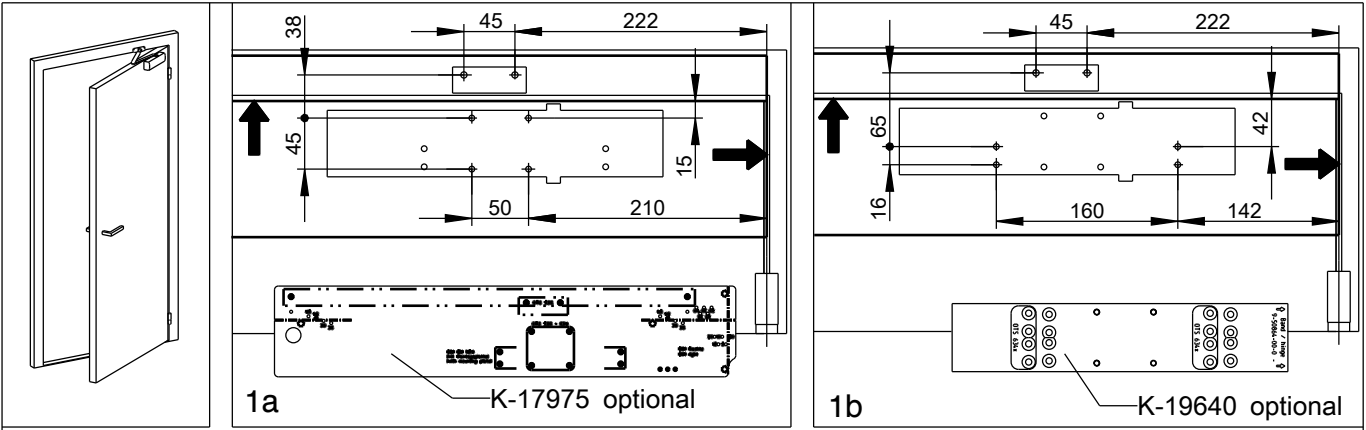


Schließkraft closing force		
EN	≤ B W	U R
2	850mm	- 6
3	950mm	- 5
4	1100mm	0
5	1250mm	+ 5
6	1400mm	+ 12

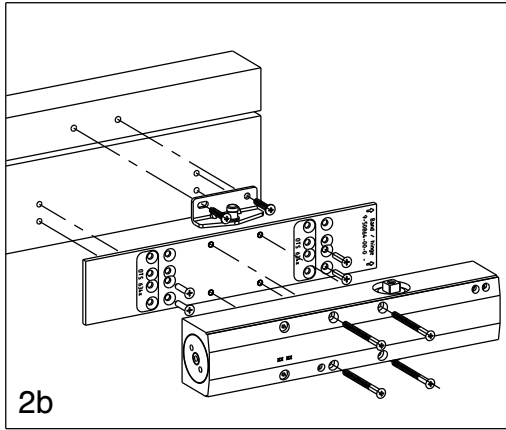


Description  
OTS 536 Normalmontage Bandseite, DIN links K-17729 / K-17920  
OTS 536 standard mounting on hinge side, DIN left K-17729 / K-17920

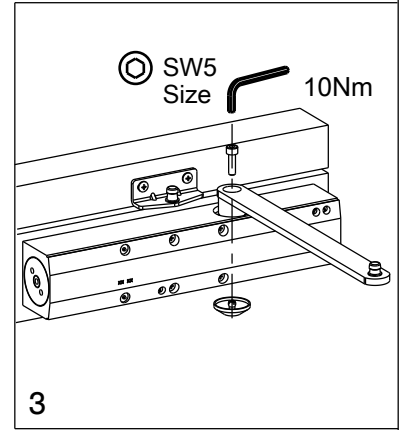
	Release No. --	Level	Released		Scale %	Modification <b>6</b>	Size <b>4</b>
	Mod. No. G34690	Ver.	--	Wi			
	Replacement for --	Draft	10.01.2018	Se			
						Drawing No. <b>0-45431-PG-0-0</b>	Sheet 1/4



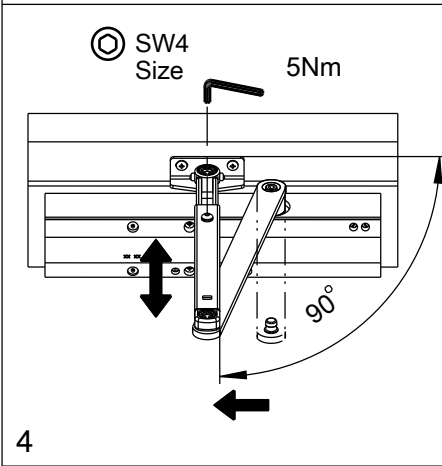
2a



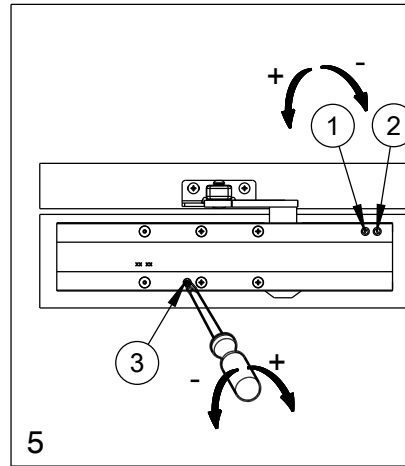
2b



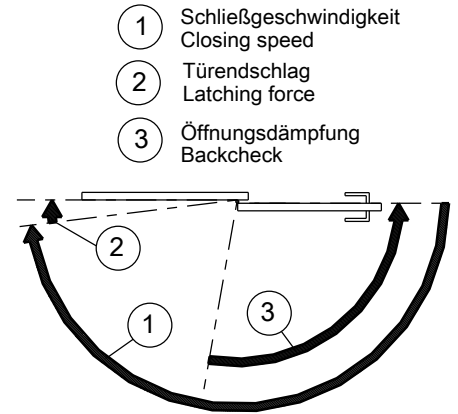
3



4

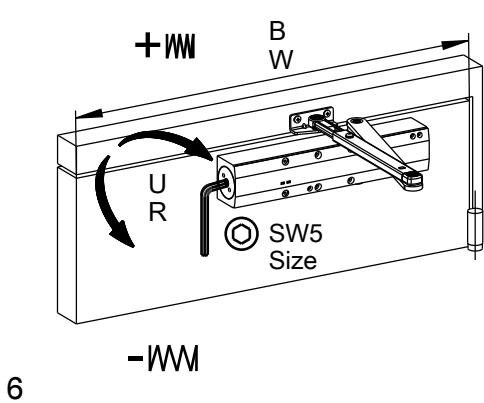


5



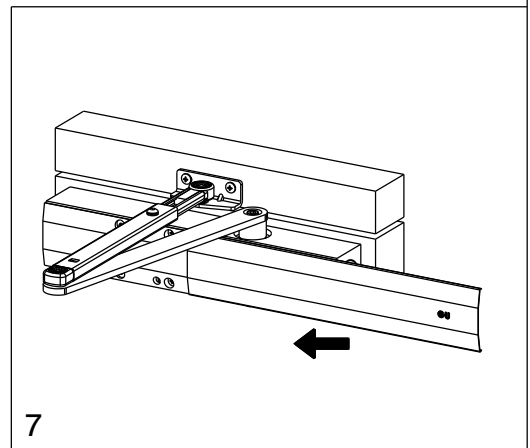
Proprietary rights apply in accordance with ISO 16016.

EN
ES
FR
--
--



6

Schließkraft closing force		
EN	≤ B W	U R
2	850mm	- 6
3	950mm	- 5
4	1100mm	0
5	1250mm	+ 5
6	1400mm	+ 12



7

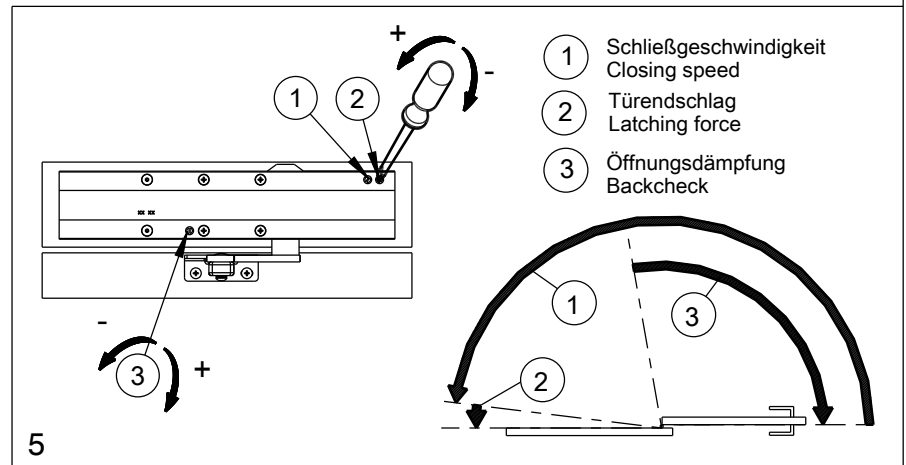
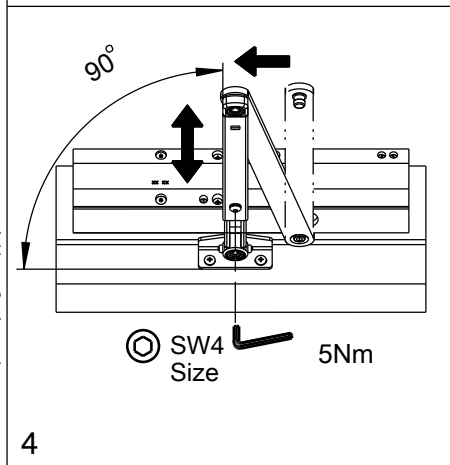
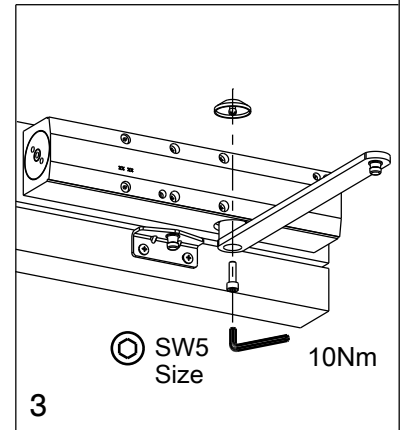
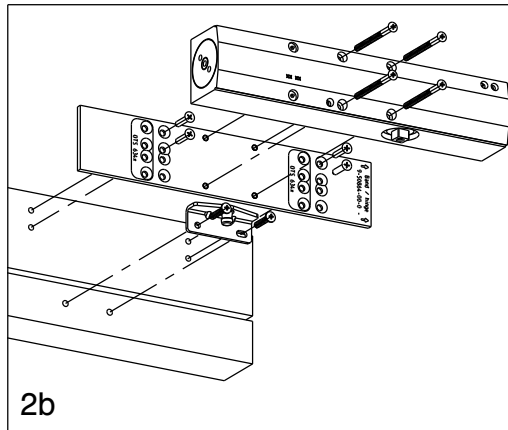
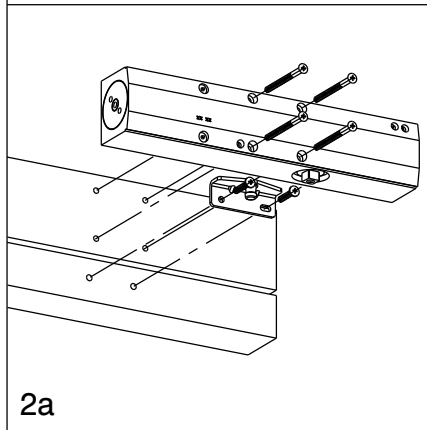
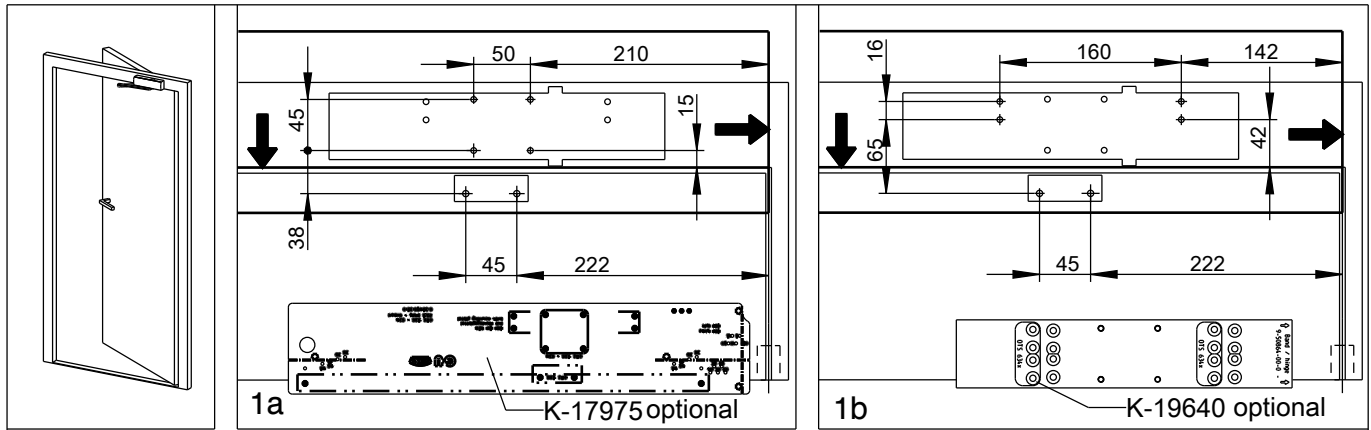
Description

OTS 536 Normalmontage Bandseite, DIN rechts K-17729 / K-17920

OTS 536 standard mounting on hinge side, DIN right K-17729 / K-17920

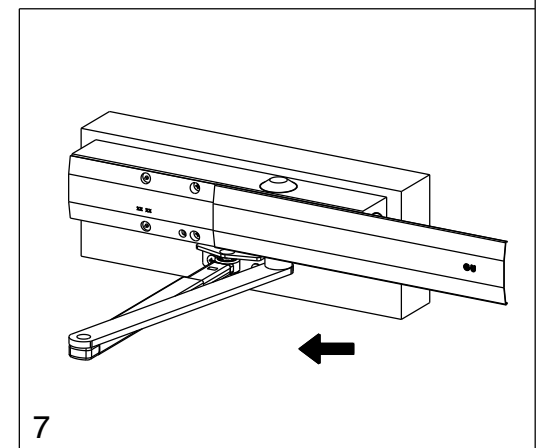
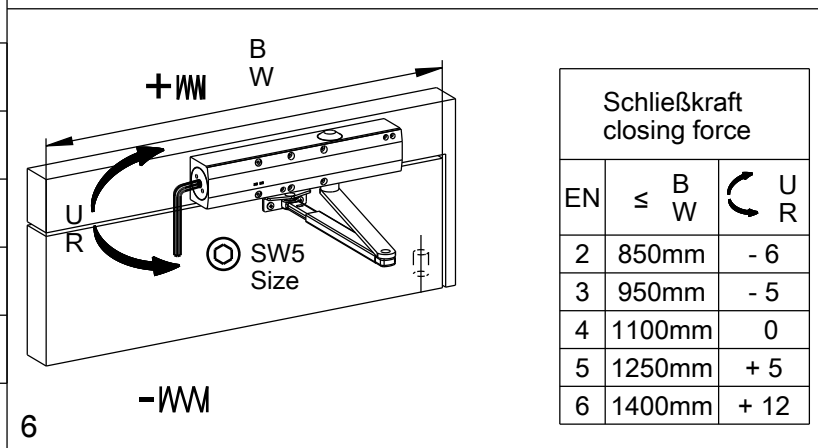
Montageanleitung  
assembly instructions  
V5

	Release No. --	Level	Released		Scale %	Modification <b>6</b>	Size <b>4</b>
	Mod. No. G34690	Ver.	--	Wi		Drawing No. <b>0-45431-PG-0-0</b>	Sheet 2/4
	Replacement for --	Draft	10.01.2018	Se			



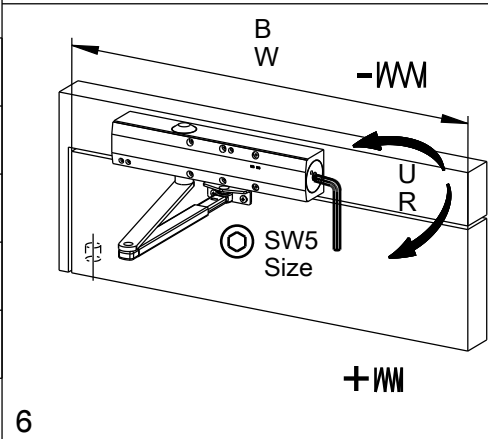
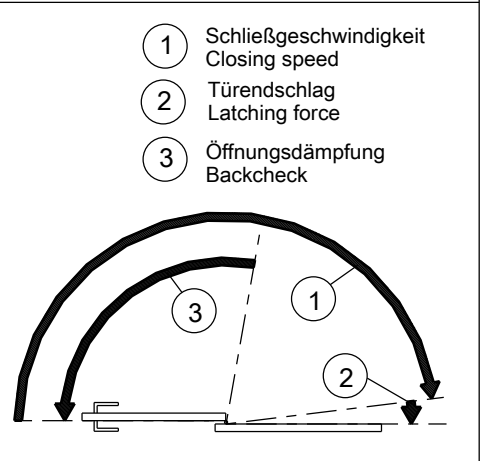
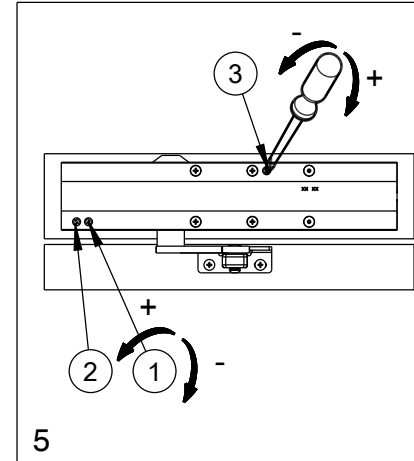
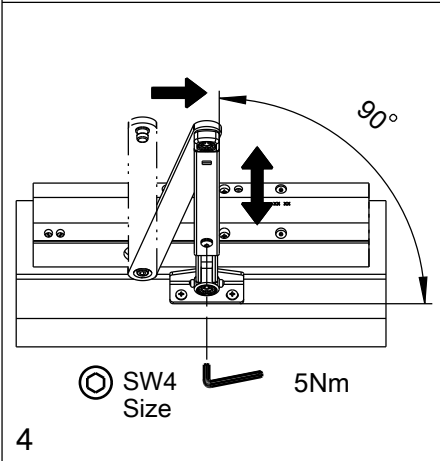
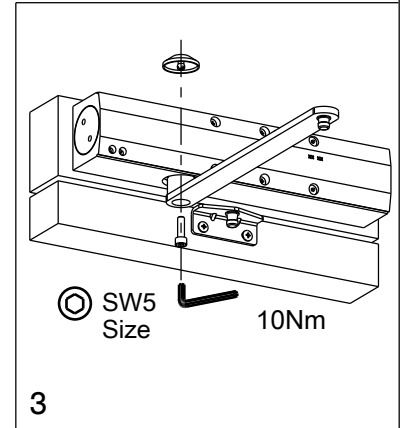
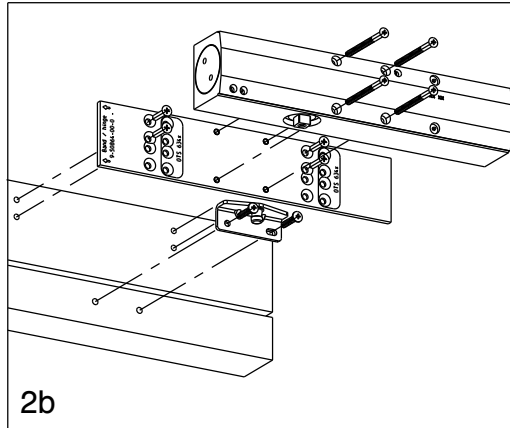
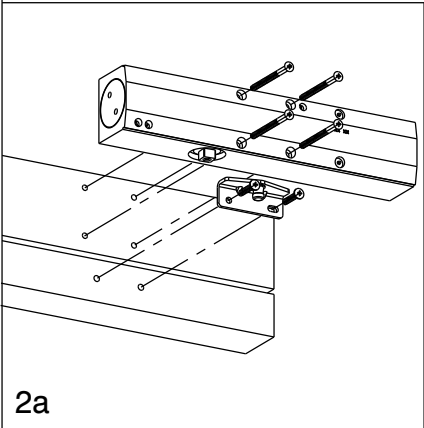
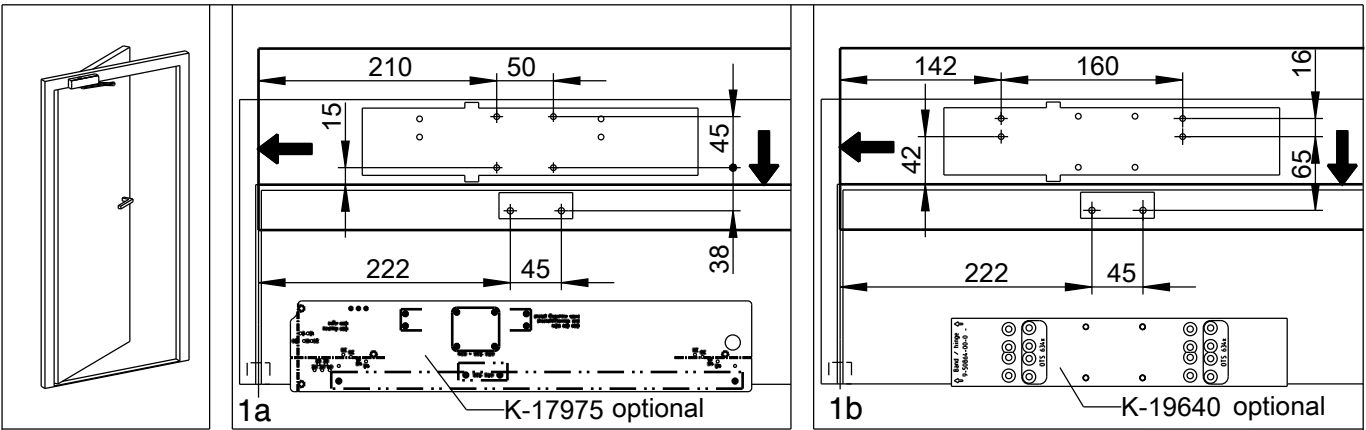
Proprietary rights apply in accordance with ISO 16016.

EN
ES
FR
--
--



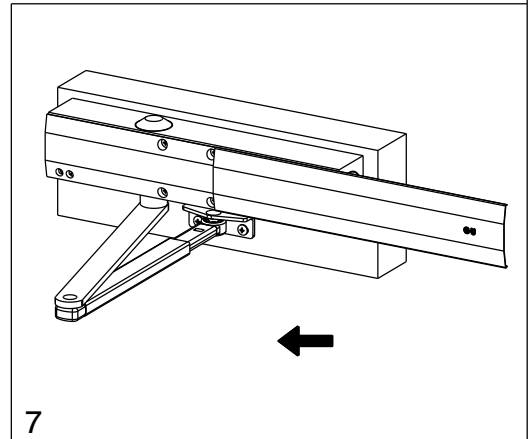
Montageanleitung  
assembly instructions  
V5

Description								
OTS 536 Kopflmontage Bandgegenseite, DIN links K-17729 / K-17920								
OTS 536 transom mounting on side opposite to hinges, DIN left K-17729 / K-17920								
	Release No.	Level	Released		Scale	Modification		
	--	Ver.	--	Wi			6	Size
	Mod. No. G34690	Draft	10.01.2018	Se				
Replacement for --					Drawing No. <b>0-45431-PG-0-0</b>		Sheet 3/4	



Schließkraft closing force

EN	≤ B W	U R
2	850mm	- 6
3	950mm	- 5
4	1100mm	0
5	1250mm	+ 5
6	1400mm	+ 12



- EN
- ES
- FR
- 
- 

Description  
 OTS 536 Kopfmontage Bandgegenseite, DIN rechts K-17729 / K-17920  
 OTS 536 transom mounting on side opposite to hinges, DIN right K-17729 / K-17920

Montageanleitung  
assembly instructions  
V5

	Release No. --	Level	Released		Scale %	Modification <b>6</b>	Size <b>4</b>
	Mod. No. G34690	Ver.	--	Wi		Drawing No. <b>0-45431-PG-0-0</b>	Sheet 4/4
	Replacement for --	Draft	10.01.2018	Se			

Proprietary rights apply in accordance with ISO 16016.